



Created for well being

Our aim, with UNIC, is to introduce something familiar and homely into the dental surgery. Our intention is to create a pleasant and relaxed environment for both the patient and dentist.

The unit is able to accommodate the person lying in the chair as well as the work going on around the patient. The human element is carefully considered throughout the process - from the patient to the dentist and dental assistant and even to the service technician.

Welcome to a treatment unit that focuses on human beings.

Thomas Steen Nielsen, heka dental



For some people the yearly visit to the dentist is simple - nothing more than a routine check at another doctor.

For others - for example, my daughter-in-law - it is actually associated with a pleasant feeling. She looks forward to it each time she gets her teeth checked and polished. She feels 'cleansed' afterwards. It is a wellness treatment for her teeth and mouth.

However, many experience the yearly visit to the dentist as a cause for great discomfort, maybe anxiety, or to put it bluntly, dental phobia.

'Art is not appearing to be, but being'

It is these people we have had in mind when we have created the design for UNIC.

Another important challenge, when you work on a design for dentists, is that it is situation-specific work.

In fact, the situation is always the same: the dentist sits on his chair and does not actually move very much. Meanwhile the dental assistant runs around fetching and carrying, writing and doing things.

Maybe this is one of the reasons why the prospect of a visit to the dentist's chair is so alienating for some, and a cause for unease. There you lie, a little person in the midst of so much technical equipment. You begin to feel as though you are almost becoming a part of the machinery, with the suction hose stuck in the corner of your mouth and the drill boring into your enamel.

Consequently it is important everything should be within easy reach for the dentist: the instrument table, the instruments, trays, lamp, x-ray etc.

One of the most important goals we have had for the treatment unit, which you see here, is that it should be humanised. Or at least more humanised than previously. It is a concept that can be seen reflected in the sweeping, organic shapes, the curved surface, the s-shaped top and the furnishing of the unit. We have tried to eliminate, the rigid, clinical look, as much as possible.



Designed by David Lewis

The internationally renowned designer, David Lewis, who has worked together with heka dental since 2003, is recognised for always taking a starting point in each individual project and not being ruled by an inflexible design philosophy.

This fundamental approach to creating beautiful, functional designs has, among other reasons, made Davis Lewis world-famous for his striking designs among others Bang&Olufsen, Vestfrost, Elica og Scholtès.



From the vision to the product

It started with a vision, which was transformed into thousands of drawn lines. After that there followed numerous prototypes before the final design fulfilled all of our demands for the ultimate treatment unit.

As with all good designs, the aim is to combine aesthetics with functionality into a synthesis. Our goal with UNIC is to deliver a unit that, because of its inviting appearance and carefully thought through functionality, will create the perfect environment for a pleasant visit to the dentist.



The long road to success

The starting point for creating a successful functional design is to listen to the people who will use the product.

The people who come into contact with UNIC- patients, dentists, dental technicians and service technicians, have assessed more than 2,000 major and minor details.

We have adjusted UNIC according to the input we have received from them. Then we have asked our testers to assess the unit again. We have been through this process again and again as we know it is the small details that count.



Focus on detail

It is the smallest of details that define a good or bad design and we have paid attention to every single detail in UNIC because we believe that our customers should be happy with the product for many years to come.

As an example, take the rear door of UNIC, made out of stainless steel. In the finishing, each individual component is polished in the correct direction so that when the pieces are assembled, all the polished surfaces are facing the same direction. It is more expensive. It is also more difficult but we believe that is absolutely necessary to complete the overall quality.

Some may think that it is a waste of time to use resources on such details. Others are delighted that we go to such lengths to achieve perfection.





Designed for well-being

UNIC ensures optimal contact between the dentist and patient. With all the instruments at hand, the dentist can work effectively and continuously without losing contact with the patient. That is, a calm working atmosphere which is reassuring and relaxing to the patient.

With UNIC we have created a piece of furniture, where the design of each detail aims to inspire confidence and well being in the patient.



Lightweight

UNIC is proof that a treatment unit need not be heavy or clumsy.

The entire UNIC treatment unit appears to be hovering in space. By using many varied techniques, we have been able to accentuate the unit's lightness and ease - for example, the instrument table and trays are supported centrally by means of a swivel joint, and the hoses can never touch the ground.

Similarly, by creating symmetry in the shapes, we have given the unit aesthetic lines. Such as in the circular arrangement of instruments which mimic that of the rinsing basin - and the shape of the handle on the instrument table which is echoed in the holder for the glass.







360 degrees design

We chose polished stainless steel for the UNIC floor cabinet and rear door. One of the unique qualities of polished stainless steel is that it reflects its surroundings.

This means that UNIC takes on the colour of its surroundings, where ever it might stand.

Minimalist on the surface Functional and flexible beneath

On UNIC, we have deliberately hidden away all that does not need to be visible. The instrument table is effectively minimalist without any superfluous techno-paraphernalia, or unnecessary gadgets.

This gives you the sense that the UNIC is a piece of furniture rather than just a piece of equipment.

UNIC - Quintessentially Simple



Design in perfect balance

The UNIC's arm hides the cables, water and air behind its light, industrialized surface of anodized aluminium.

The big joints work with precision in every position, despite the various strains they come under from the instrument table, monitor, x-ray and lights.

The result is an arm with optimal balance.





Simple technology
creates a simple
working procedure



The instrument table's handle is fully integrated with display and keys. It is easy to find by both the eye and the hand - even though your attention is elsewhere.

With a light touch on the glass/basin key, the suction stops, the UP-light goes off and the patient's chair adjusts to the rinsing position. Meanwhile the glass fills with water.

By touching the glass/basin key again, the patient's chair returns to its previous working position





From Solo to Duo - in under 2 seconds

Flexibility creates job satisfaction. This is why we have ensured that UNIC can adapt to its varied and complex tasks - easily and smoothly.

The assistant-unit is designed with a telescopic arm that can be adjusted from solo to duo treatment in seconds.



Comfortable Chair

A relaxed patient amounts to ideal working conditions for the dentist. For this reason we have created a treatment unit that is comfortable for both patient and dentist. It is a dream to sit on, whilst the dentist has the ideal working conditions, regardless of whether you are standing or sitting.

The feel of the patient's chair, the choice of materials and colours, complement UNIC's clear, clean lines and easy design. At the same time we have concentrated on the functionalism of the chair and in particular its easy adjustment by means of the foot pedal or the electronic control panel on the instrument table.



The Right Mood

Imagine that you are sitting alone and looking out over the sea. Before long your thoughts float away, and you experience an inner calm that spreads through your body. It is exactly this mood that we have tried to create.

UNIC gives the patient the chance to relax, while the dentist and assistant work calmly and effectively.





1]
28



2]



3]



2]



1] On the balanced spring model each instrument is perfectly balanced and the extra long silicon hoses ensure ergonomically correct working postures.

2] UNIC can be mounted with with single tray, with double tray or with X-ray monitor.

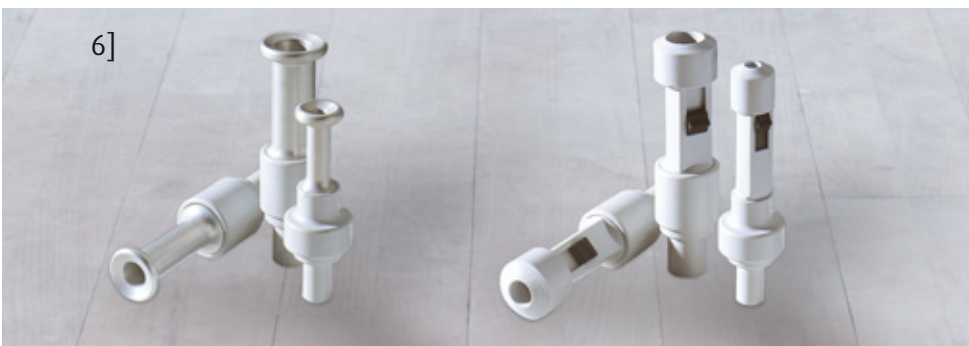
3] UNIC multimedia with monitor for patient friendly showing of intraoral photos, videos, digital x-ray or other IT-media.



4]



5]



6]



7]



8]



9]

4] The unique patented round foot control can be activated from all directions with either right or left foot releasing you from any fixed working posture.

5] UNIC can also be delivered with a variable foot control.

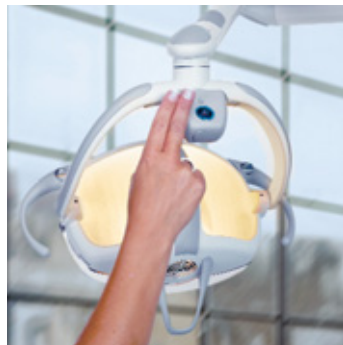
6] UNIC is delivered with either adjustable suction valves or with hygienic aluminium suction valves.

7] The instrument support can easily be removed for cleaning.

8] To ensure the supply of fresh water UNIC can be delivered with an automatic water rinsing system for the instruments.

9] UNIC is available with the unique automatic suction hose cleaning system,

which is activated by a single pressure. Hereby the suction hoses are disinfected and a new treatment session can start. During the patient treatment the suction hoses can also be disinfected continuously.



1] The spittoon can be turned and offers easy access for both 1 or 2 assistants.

2] Integrated Bottle system.

4] The spittoon upper part can easily be taken of.

3] Sterile water system, for mounting on tray adapter.

5] The UNIC operating light gives a perfect treatment light with the lamp head placed on a self-balanced spring arm to secure a stable position.

6]



8]



7]



9]



10]



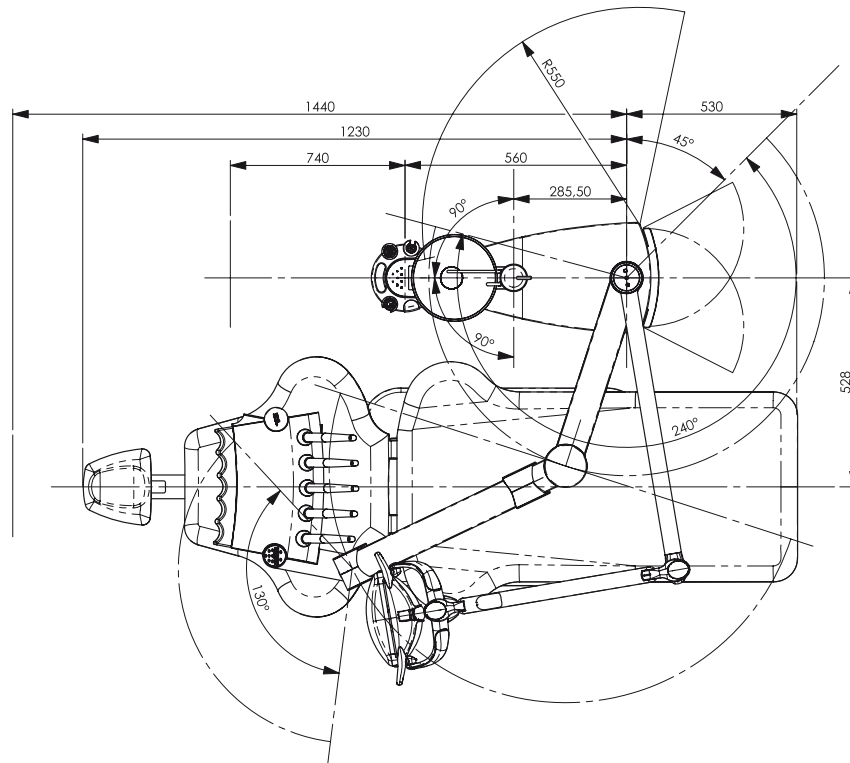
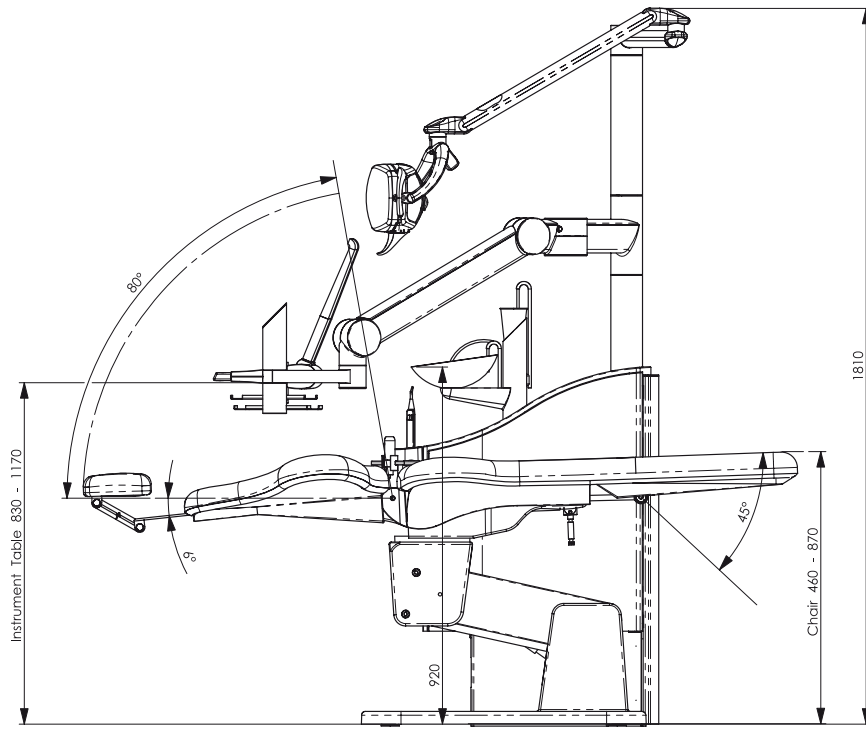
6] Stable position.
The double articulating neck rest improves the patient positioning, suitable for both adults and children.

7] Easy to clean.
The UNIC upholstery is easy to dismount for cleaning.

8] Patient comfort.
The compensating movements of the back rest and the seat as well as the integrated elbow support ensure that the patient sits comfortably during the whole treatment.

9] The UNIC patient chair can be delivered with one or two armrests.

10] Joystick.
Individual placement of up to 3 joy-sticks offers you and your assistant to maintain ideal working postures.



UNIC and some of its parts are design-protected, some UNIC parts are patent-protected.

Specifications

UNIC:

- Balanced Springs for instruments
- Sub-supported instruments

Foot control:

- Standard foot control
- Variable foot control

Instruments:

- Turbine module Multiflex, fiberoptic
- Fibre optic motor module: incl. Bien Air micro motor - 40.000 rpm
- Fibre optic motor module: incl. Bien Air MX Brushless micro motor, incl. DiGipad
- Fibre optic motor module: incl. NSK Ti-Max micro motor - 40.000 rpm
- Syringe module: UNIC 3-function syringe
- Syringe module: Luzzani 3-function syringe
- Syringe module: Luzzani 6-function syringe
- Syringe module: Luzzani 7-function syringe with light

- Ultrasonic scaler module: Suprasson
- Ultrasonic scaler module: Piezon
- Light polymerisation module: UNIC 5W
- Intraoral camera module, Sopro excl. software
- Intraoral camera module, UNIC excl. software
- Monitor incl. lamp adapter, (s-vhs, pal and normal connection)
- Single tray
- Double tray
- X-ray monitor for mounting on tray adapter

Water treatment:

- Water supply with air gab
- Integrated water disinfection with auto dosage (germ reduction)
- Bottle system
- Automatic water rinsing system for instruments
- Hygienic airtation, automatic (water emptied from tubes)
- Sterile water system, for mounting on tray adapter

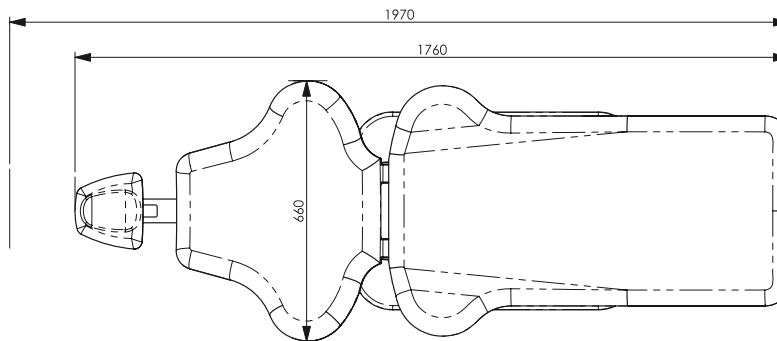
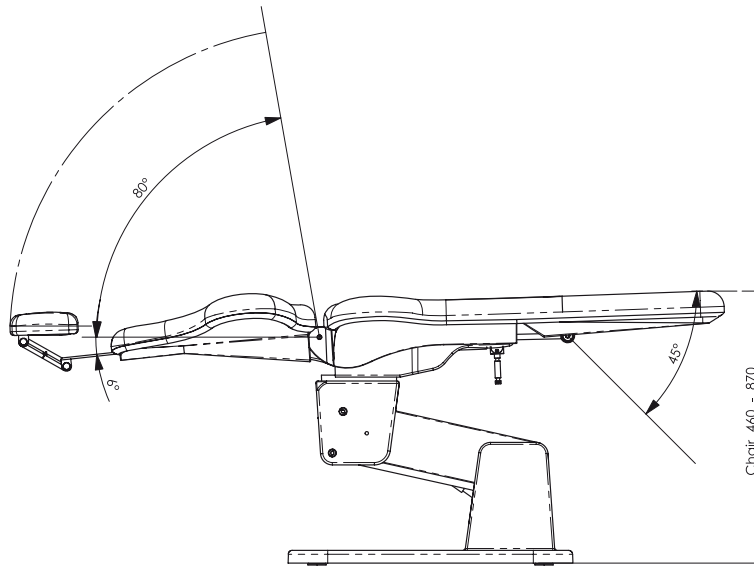
Spittoon:

- Manual turning, Spitton
- Automatic turning, Spitton
- Selective suction (2 hoses) on telescope arm
- Selective suction (2 hoses) mounted on patient chair
- Automatic suction hose cleaner
- 3-function syringe mounted on telescope arm: Model UNIC
- 3-function syringe mounted on telescope arm: Model Luzzani
- 6-function syringe mounted on telescope arm: Model Luzzani
- Light polymerisation module: UNIC 5W mounted on telescope arm (w/ button)
- Water heater for glass
- Water heater for glass and instrument table
- Quick coupling for suction
- Quick coupling for water and air
- Separation automatics: Model Dürr

- Separation automatics: Model Metasys
- Amalgam separator incl. separation automatics: Model Dürr
- Amalgam separator incl. separation automatics: Model Metasys
- Spittoon valve complete: Model Dürr
- X-ray adapter for mounting of X-ray on unit
- Plug for 220 volt mounted on unit
- UNIC EDI operation lamp 25000 lux, 5000 Kelvin
- UNIC EDI operation lamp 25000 lux, 5000 Kelvin with sensor

UNIC Patient chair

34



UNIC and some of its parts are design-protected, some UNIC parts are patent-protected.

Specifications

UNIC Patient chair:

- 2 PCs Spindle electric motors
- Maximum Person weight 240 kg.
- Running weight 140 kg.

- Double adjustment of headrest
- Foot joystick.
Extra Foot Joystick, up to 3 PCs

- Patient chair with 4 programs
- Patient chair with 3 programs + last position

Upholster:

- Soft Polster
- SuperSoft Polster

Armrest:

- Right
- Left

Upholstery colours

458 Soft	460 Soft	35
459 Soft	693 Soft	
349 Soft	348 Soft	
451 Soft	358 Soft	
351 Soft		
1107 SuperSoft	1108 SuperSoft	
1105 SuperSoft	1102 Supersoft	

heka dental

Heka Dental A/S have supplied units to dentists, the world over, since 1965 and are now a leading supplier of units in Scandinavia.

It is a family-run business with all its production, development and administration centralized in Denmark. All phases of the operations are ISO-certified which ensures high quality in all areas.

Heka Dental adapts quality and design to the individual demands made by our customers. To ensure each dentist the best possible guidance and information, the delivery, installation and servicing is taken care of by an extensive and well-trained network of agents.

You are always welcome to visit us or contact us with any questions or ideas.



Heka Dental A/S
Baldershøj 38
DK-2635 Ishøj, Denmark
Telefon +45 43 32 09 90
Fax +45 43 32 09 80
mail@heka-dental.dk
www.heka-dental.com

heka*dental*[®]